

REPAIR PARTS MANUAL
MODEL NO. BM12592RB (BM12592RBB)
Lawn Tractor

BESTGREEN

HOW TO USE THIS MANUAL

This manual is designed to provide the customer with a means to identify the parts on his/her tractor when ordering repair parts. The illustrations may or may not represent the actual assemblies; therefore, it is not recommended to use this manual as a guide to assemble or disassemble the tractor. Some hardware and parts are drawn larger in order to more readily identify them.

Each tractor has its own model number.

The model number for your tractor can be found on the fender under the seat.

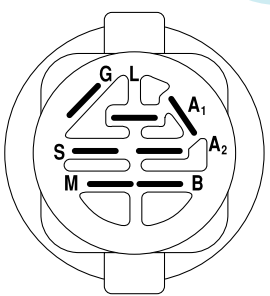
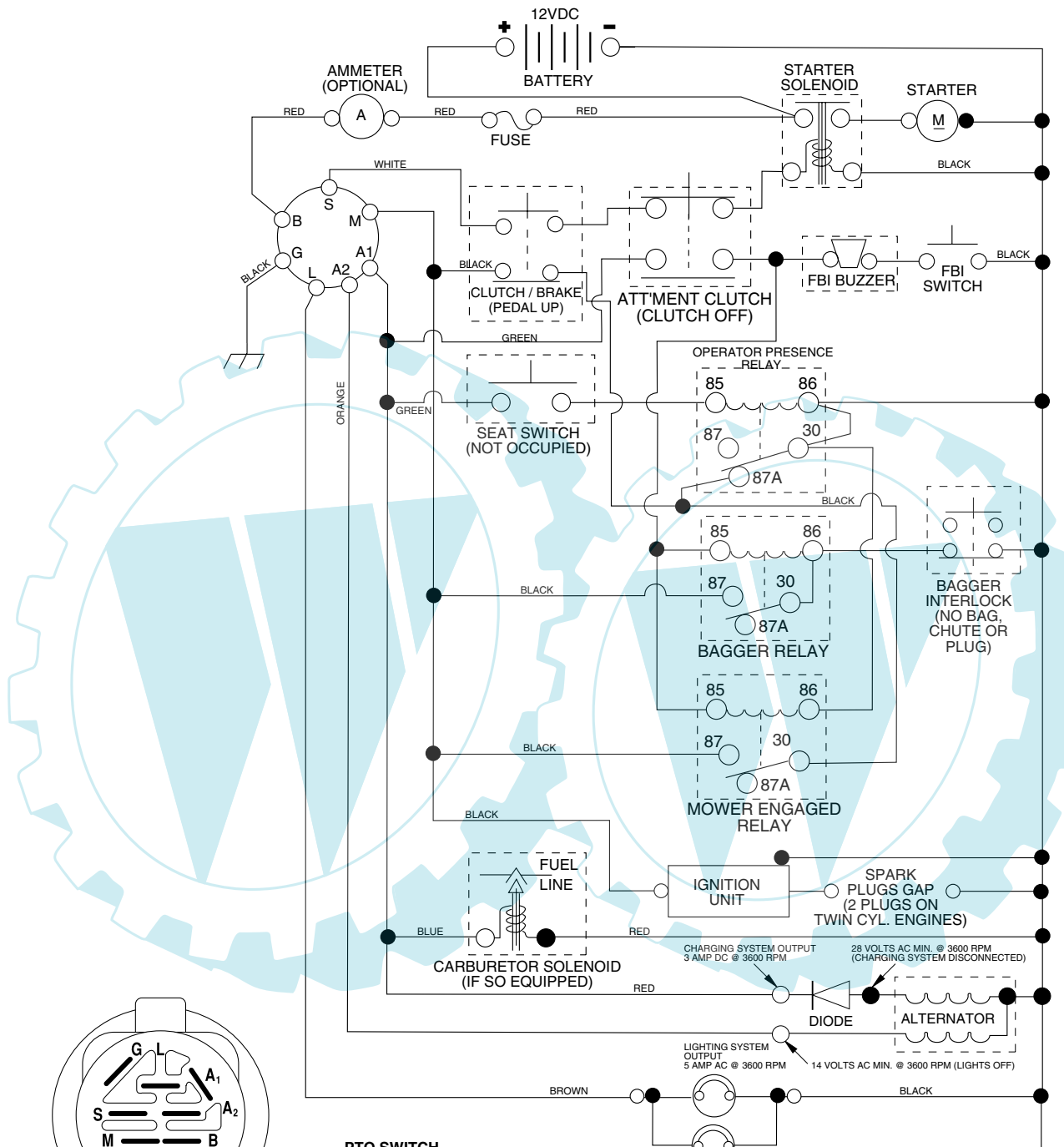
When ordering parts, always give the following information:

- Product - "Tractor"
- Model Number - "BM12592RB (BM12592RBB)"
- Part Number
- Part Description

TABLE OF CONTENTS

SCHEMATIC	3
ELECTRICAL.....	4-5
CHASSIS.....	6-7
DRIVE.....	8-9
STEERING	10-11
SEAT	12
DECALS.....	13
ENGINE.....	14-15
MOWER LIFT.....	16-17
MOWER DECK	18-19
BAGGER	20-21

**TRACTOR- -MODEL NO. BM12592RB (BM12592RBB), PRODUCT NO. 964 77 43-01
SCHEMATIC**



PTO SWITCH

POSITION	CIRCUIT
OFF	C + G, B + H
ON	C + F, B + E, A + D

IGNITION SWITCH

POSITION	CIRCUIT	"MAKE"
OFF	M+G+A1	NONE
RUN/LIGHT	B+A1	A2+L
RUN	B+A1	NONE
START	B + S + A1	NONE

WIRING INSULATED CLIPS
NOTE: IF WIRING INSULATED CLIPS WERE REMOVED FOR SERVICING OF UNIT, THEY SHOULD BE REPLACED TO PROPERLY SECURE YOUR WIRING.

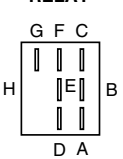
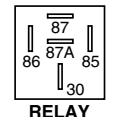
02391

● NON-REMOVABLE CONNECTIONS

○ REMOVABLE CONNECTIONS

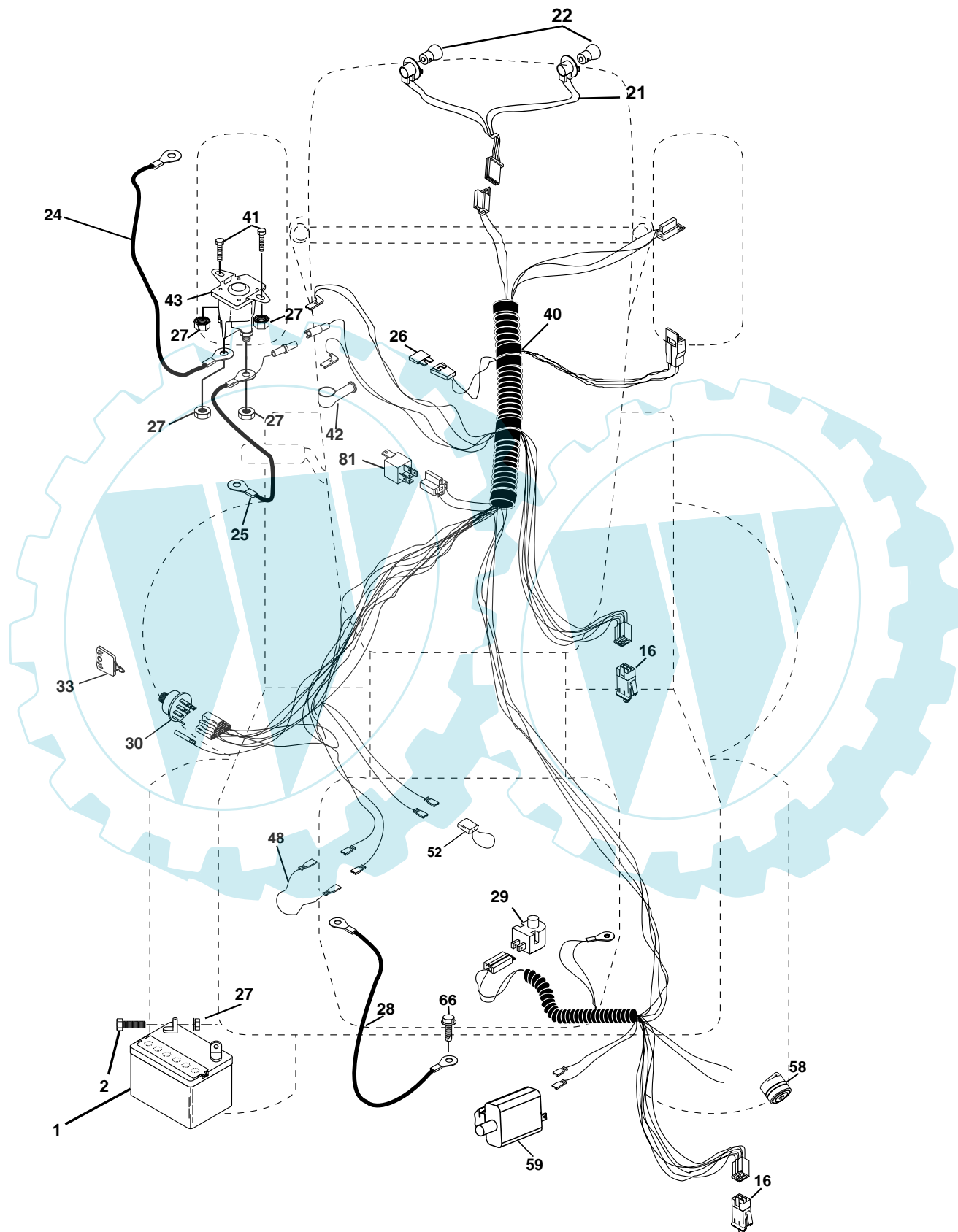
HEADLIGHTS

NOTE
YOUR TRACTOR IS EQUIPPED WITH A SPECIAL ALTERNATOR SYSTEM. THE LIGHTS ARE NOT CONNECTED TO THE BATTERY, BUT HAVE THEIR OWN ELECTRICAL SOURCE. BECAUSE OF THIS, THE BRIGHTNESS OF THE LIGHTS WILL CHANGE WITH ENGINE SPEED. AT IDLE THE LIGHTS WILL DIM. AS THE ENGINE IS SPEEDED UP, THE LIGHTS WILL BECOME THEIR BRIGHTEST.



REPAIR PARTS

TRACTOR- -MODEL NO. BM12592RB (BM12592RBB), PRODUCT NO. 964 77 43-01
ELECTRICAL



REPAIR PARTS

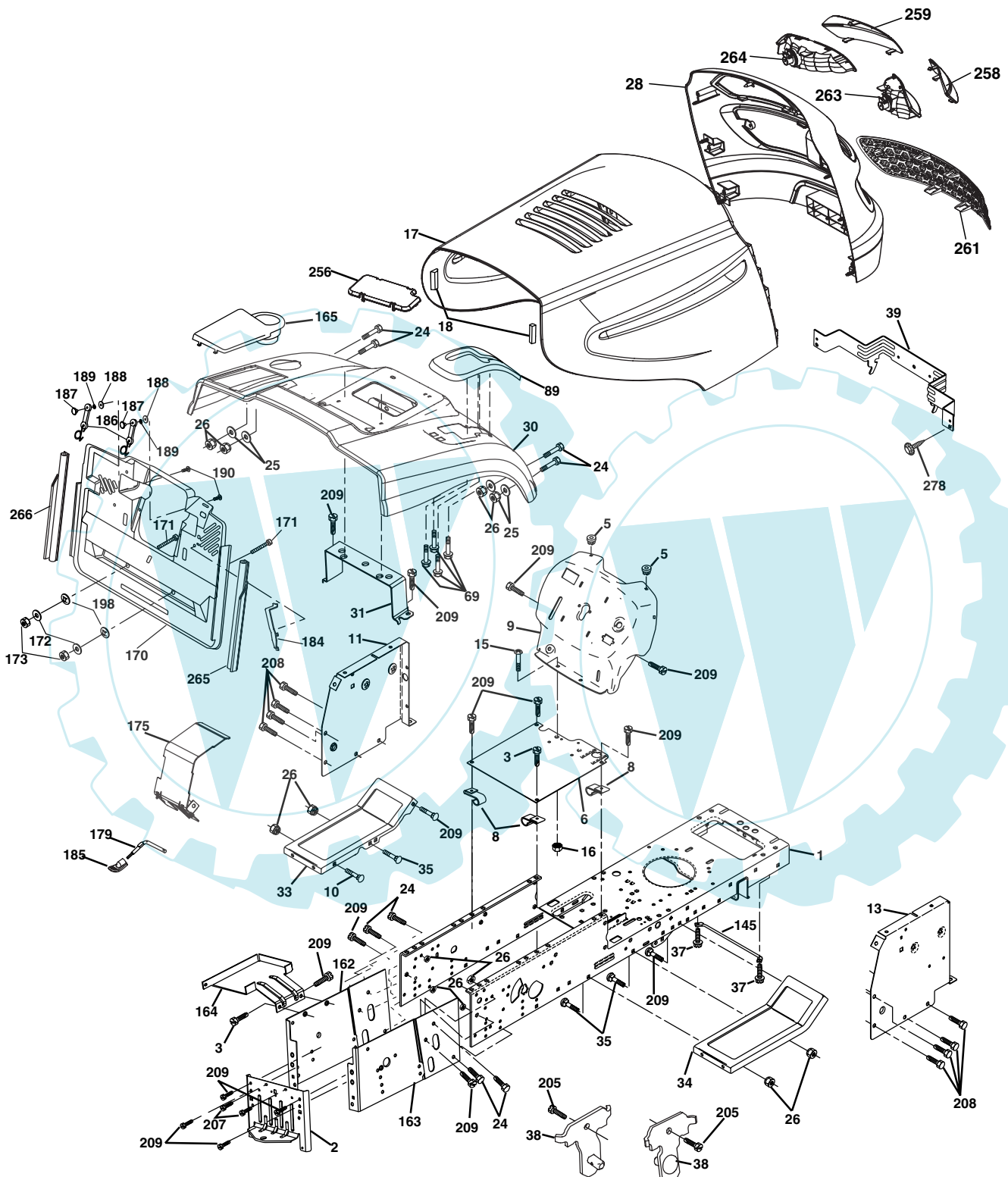
TRACTOR- -MODEL NO. BM12592RB (BM12592RBB), PRODUCT NO. 964 77 43-01
ELECTRICAL

KEY NO.	PART NO.	DESCRIPTION
1	163465	Battery
2	74760412	Bolt Hex Hd 1/4-20 unc x 3/4
16	176138	Switch Interlock
21	183759	Harness Asm Light W/4152J
22	4152J	Bulb Light
24	4799J	Cable Starter 6 Ga. 11" Red
25	165987	Cable Battery Crd 56" Red
26	175158	Fuse
27	73510400	Nut Keps Hex 1/4-20 unc
28	127725X	Cable Ground 6 Ga. 18" Black
29	121305X	Switch Plunger Normal OP Gray
30	175566	Switch Ignition
33	140401	Key Ign
40	188036	Harness Ign
41	71110408	Bolt Flk Fin Hex 1/4-20 unc x 1/2
42	131563	Cover Terminal Red
43	178861	Solenoid
48	140844	Adapter Ammeter Rectangular
52	141940	Protection Wire Loop
58	169419	Buzzer Crd
59	180379	Switch FBI CRD
66	17490608	Screw Thdrol 3/8-16 x 1/2 Ty-Tt
81	109748X	Relay Asm

NOTE: All component dimensions given in U.S. inches.
1 inch = 25.4 mm.

REPAIR PARTS

TRACTOR- -MODEL NO. BM12592RB (BM12592RBB), PRODUCT NO. 964 77 43-01
CHASSIS AND ENCLOSURES



chassis-Elite_Basic_CRD_1

REPAIR PARTS

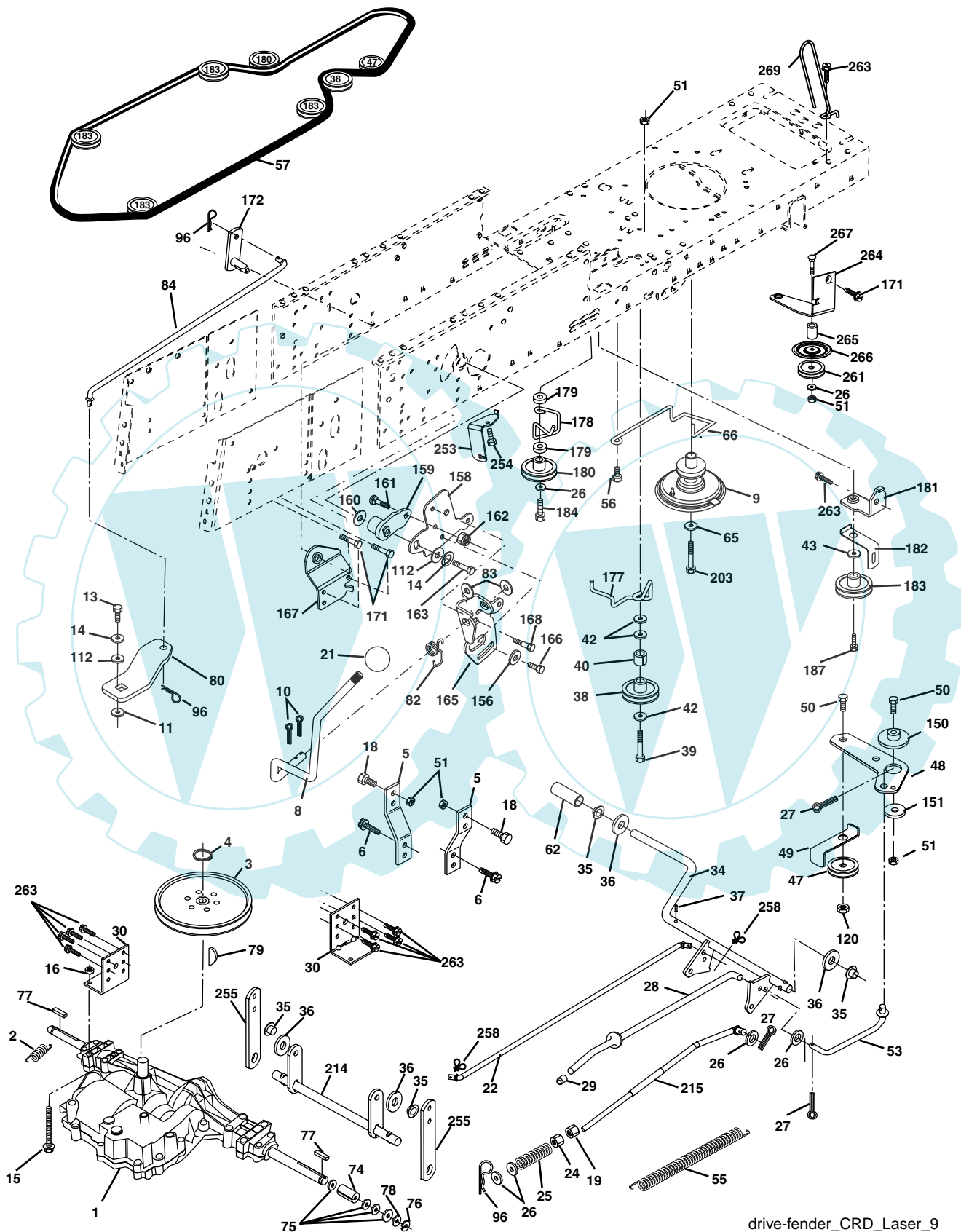
**TRACTOR- -MODEL NO. BM12592RB (BM12592RBB), PRODUCT NO. 964 77 43-01
CHASSIS AND ENCLOSURES**

KEY NO.	PART NO.	DESCRIPTION	KEY NO.	PART NO.	DESCRIPTION
1	174620	Chassis	170	178862	Backplate Asm CRD
2	180384	Drawbar	171	72140620	Bolt Rdhd Sqnk 3/8-16 x 2-1/2 Gr. 5
3	17060612	Screw 3/8-16 x 3/4	172	19132016	Washer 13/32 x 1-1/4 x 16 Ga.
5	155272	Bumper Hood/Dash	173	73510600	Nut, Keps Hex 3/8-16 unc
6	184419	Saddle	175	188203	Door Trap
8	126471X	Clip Insulator 13/32 Mtg. Hole	179	188202	Rod Pivot FBI CRD
9	187834X011	Dash	184	174662	Bracket Actuator Bagger CRD
10	72140608	Bolt, Carriage 3/8-16 x 3/4	185	179608X505	Knob Rod Brake Parking
11	174996	Panel, Dash, L.H.	186	160793	Latch Asm Mulch/Bagger
13	179174X010	Panel, Asm. Dash R.H.	187	2029J	Nut Weld
15	74180512	Screw, Machine, Truss Head 5/16-18 unc x 3/4	188	19061216	Washer #10
16	73510500	Nut	189	10071000	Washer Lock #10
17	183394X417	Hood	190	71081010	Screw Pan Hd Phillip 10-24 x 5/8
18	126938X	Bumper Hood	198	168937	Nut, Push
24	74780616	Bolt	205	17490608	Screw Thdrol 3/8-16 x 1/2
25	19131312	Washer 13/32 x 13/16 x 12 Ga.	207	17670508	Screw Thdrol 5/16-18 x 1/2
26	73800600	Nut	208	17670608	Screw Thdrol 3/8-16 x 1/2
28	183826	Grille /Lens Asm	209	17000612	Screw Hex Wsh Thdrol 3/8-16
30	169962X417	Fender	256	180810X428	Cover Fender Rack CRD
31	165156	Bracket, Fender Support	258	188223X428	Grille
33	179716X417	Footrest, L.H.	259	183834X599	Lens Grille LH
34	179717X417	Footrest, R.H.	260	183385X599	Lens Grille RH
35	72110606	Bolt	261	183829X428	Insert Grille
37	17490508	Screw Thdrol 5/16-18 x 1/2 TYT	263	183833	Bezel Grille RH
38	181748	Bracket Asm Pivot Mower Rear	264	183832	Bezel Grille LH
39	174714	Bracket Pivot Laser	265	185704	Seal RH Side Bagger
69	142432	Screw Hex Wsh	266	185703	Seal LH Side Bagger
89	177288X428	Console	278	191611	Screw 10 x 3/4 Single Lead-Hex
145	156524	Rod Pivot Chassis/Hood	--	5479J	Plug
162	180382	Bracket Exten Chassis Lh CRD			
163	180383	Bracket Exten Chassis Rh CRD			
164	165605	Support Battery CRD			
165	179020X428	Cover Battery			

NOTE: All component dimensions given in U.S. inches.
1 inch = 25.4 mm.

REPAIR PARTS

TRACTOR- -MODEL NO. BM12592RB (BM12592RBB), PRODUCT NO. 964 77 43-01
DRIVE



drive-fender_CRD_Laser_9

REPAIR PARTS

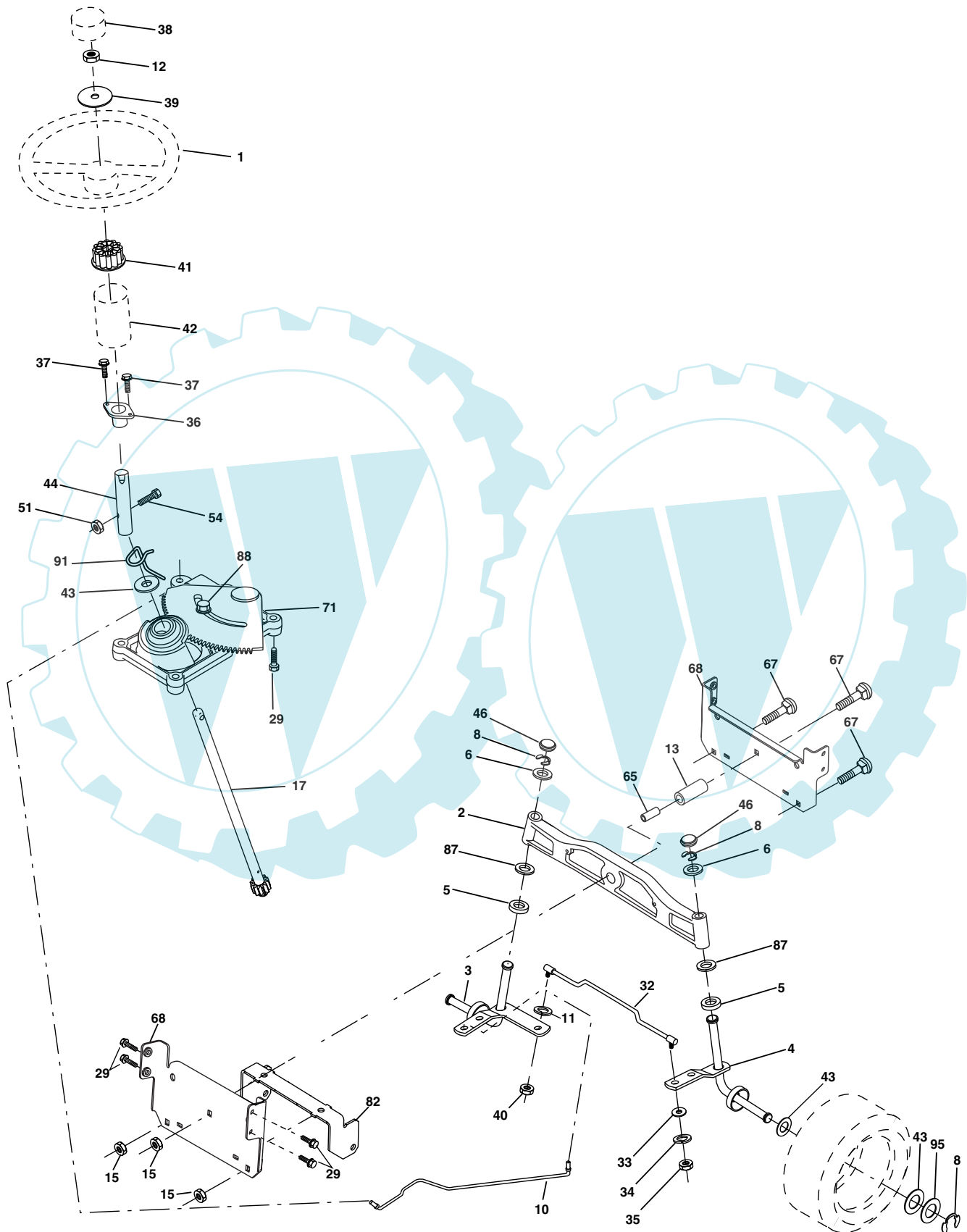
**TRACTOR- -MODEL NO. BM12592RB (BM12592RBB), PRODUCT NO. 964 77 43-01
DRIVE**

KEY NO.	PART NO.	DESCRIPTION	KEY NO.	PART NO.	DESCRIPTION
1	-----	Transaxle Peerless 206-546 Order parts from transaxle manufacturer	78	121748X	Washer 25/32 x 1-5/8 x 16 Ga.
2	146682	Spring Brake Return	79	2228M	Key Woodruff
3	165999	Pulley Transaxle	80	145090	Arm Shift PMST 20" Tires
4	12000028	Ring Retainer #5100-62	82	165711	Spring, Torsion
5	121520X	Strap torque 30 degrees	83	19171216	Washer 17/32 x 3/4 x 16 Ga.
6	17060512	Screw 5/16-18 x 3/4	84	165621	Link Shift CRD Pmst 18" Tires
8	165619	Rod Shift Fender Adjust Lt	96	4497H	Spring, Retainer 1"
9	180354	Clutch Asm Noram	112	19091210	Washer 9/32 x 3/4 x 10 Ga.
10	76020416	Pin, Cotter 1/8 x 1	120	73900600	Nut Lock 3/8-16
11	105701X	Washer Plate Shf .3888 sq hole	150	165850	Bushing, Bellcrank Grnd Dr
13	74550412	Bolt 1/4-28 unF Gr. 8 w/patch	151	19133210	Washer 13/32 x 2 x 10 Ga.
14	10040400	Washer, Lock Hvy Helical	156	166002	Washer Srrd 5/16 ID x 1.125
15	74490544	Bolt Hex FGHD 5/16-18 x Gr. 5	158	165589	Bracket Shift Mount
16	73800500	Nut, Lock Hex w/Ins 5/16-18 unc	159	183900	Hub Tapered Flange Shift Lt
18	74780616	Bolt Hex 3/8-16 uncx 1 Gr.5	160	19292016	Washer 29/32 x 1-1/4 x 16 Ga.
19	73800600	Nut, Lock Hex w/Wsh 3/8-16 unc	161	72140406	Bolt Rdhd Sqnk 1/4-20 x 3/4 Gr. 5
21	106933X	Knob Round 1/2-13 unc Blk	162	73680400	Nut Crownlock 1/4-20 unc
22	175607	Rod, Brake CRD Main	163	74780416	Bolt Hex Fin 1/4-20 unc x 1 Gr. 5
24	73350600	Nut	165	165623	Bracket Pivot Lever
25	106888X	Spring, Rod, Brake	166	17490510	Screw 5/16-18 x 5/8
26	19131316	Washer 13/32 x 13/16 x 16 Ga.	167	165588	Bracket Support Shift CRD
27	76020412	Pin, Cotter 1/8 x 3/4	168	165492	Bolt Shoulder 5/16-18 x .561
28	175765	Rod, Parking Brake	171	17490608	Screw Thdrol 3/8-16 x 1/2 Ty-Tt
29	71673	Cap, Parking Brake	172	165635	Shaft Asm Shift Front CRD PMST
30	174973	Bracket, Mfg. Transaxle	177	165932	Keeper Flat Idler 3.06" CRD
34	175578	Shaft, Asm Pedal Foot CRD	178	165933	Keeper Belt Idler 1.88" CRD
35	120183X	Bearing, Nylon	179	120958X	Washer Sintered
36	19211616	Washer 21/32 x 1 x 16 Ga.	180	165630	Pulley Flat Composite 3.06"
37	1572H	Pin, Roll 3/16 x 1"	181	180211	Bracket Idler Ground Drive CRD
38	165936	Pulley, Flat	182	182682	Keeper Belt 2.5" Od V-Idler CRD
39	74760644	Bolt Fin Hex 3/8-16 unc x 2-3/4	183	186007	Pulley V-Idler 2.50" Od CRD
40	4470J	Spacer, Split 395 x 59 Bzp	184	17490644	Screw Hexwsh Thdrol 3/8-16 x 2-3/4
42	19131312	Washer 13/32 x 13/16 x 12 Ga.	187	17580520	Screw 5/16-18 x 1.25
43	19111012	Washer 11/32 x 5/8 x 12 Ga.	203	71170780	Bolt Hex 7/16-20 x 5
47	127783	Pulley, Idler, V Groove Plasitc	214	175609	Shaft Asm. Brake
48	154407	Bellcrank Clutch Grnd Drv	215	175651	Rod Brake Secondary
49	123205X	Retainer, Belt Style Spring	253	175028	Bracket Cable Chassis
50	72110612	Bolt Carr Sh 3/8-16 x 1-1/2 Gr. 5	254	17000616	Screw 3/8-16 x 1
51	73680600	Nut, Crownlock 3/8-16 unc	255	175608	Brace Shaft Brake
53	105710X	Link, Clutch 7.66	258	178062	Clip Retainer
55	105709X	Spring, Return, Clutch	261	131494	Pulley Idler Flat Plated
56	17060620	Screw 3/8-16 x 1-1/4	263	17000612	Screw Hex Wsh THDR 3/8-16 x 3/4
57	165631	V-Belt Kev PMST CRD	264	181995	Bracket Clutch
62	8883R	Cover, Pedal	265	182013	Spacer Idler Chassis
65	10040700	Washer	266	182061	Shield Idler
66	154778	Keeper, Belt Engine F-Proof	267	72140626	Bolt Rd Sqk 3/8-16 x 3-1/4
74	137057	Spacer Axle	269	182402	Guard Muffler OHV B&S RH
75	121749X	Washer 25/32 x 1-1/4 x 16 Ga.			
76	12000001	Ring, E			
77	123583X	Key, Square			

NOTE: All component dimensions given in U.S. inches
1 inch = 25.4 mm

REPAIR PARTS

TRACTOR- -MODEL NO. BM12592RB (BM12592RBB), PRODUCT NO. 964 77 43-01
STEERING ASSEMBLY



steering_pl.lt_29

REPAIR PARTS

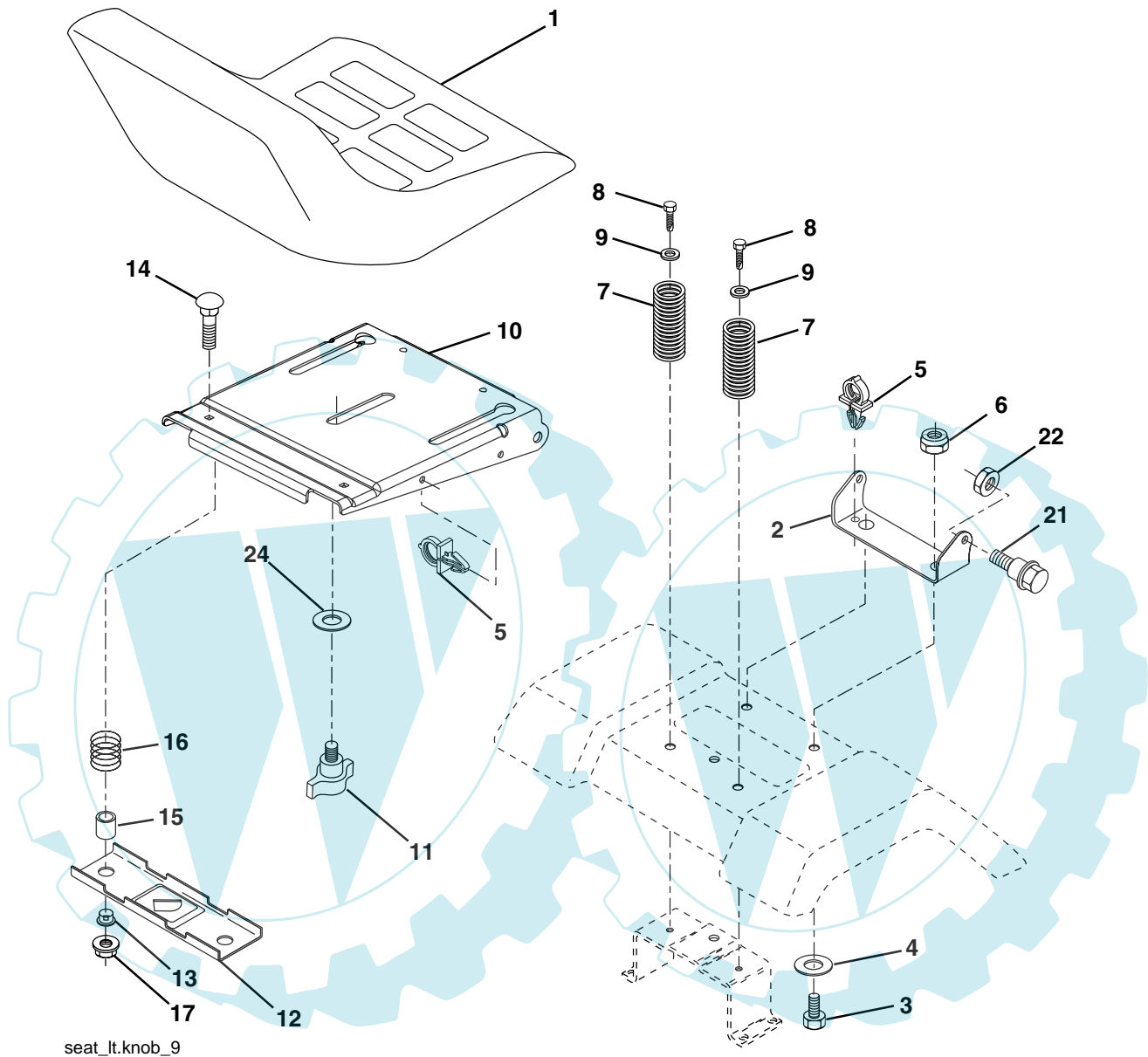
TRACTOR- -MODEL NO. BM12592RB (BM12592RBB), PRODUCT NO. 964 77 43-01
STEERING ASSEMBLY

KEY NO.	PART NO.	DESCRIPTION
1	139768	Steering Wheel
2	184706	Front Axle Assembly
3	169840	Spindle Assembly, L.H.
4	169839	Spindle Assembly, R.H.
5	6266H	Bearing, Race, Thrust, Hardened
6	121748X	Washer 25/32 x 1-5/8 x 16 Ga.
8	12000029	Ring, Klip
10	175121	Link, Drag
11	10040600	Washer, Lock
12	73940800	Nut Hex Jam Toplock 1/2-20 unf
13	136518	Spacer Axle
15	145212	Nut Hex Flange Lock
17	180641	Shaft Assembly, Steering
29	17000612	Screw 3/8-16 x 3/4
32	170162	Rod, Tie
33	19111216	Washer 11/32 x 3/4 x 16 Ga.
34	10040500	Washer Lock Hvy Hlcl Spr 5/16
35	73540500	Crownlock Nut 5/16-24 unf
36	155099	Bushing, Steering
37	152927	Screw TT #10-32 x 5 x 3/8 Flange
38	140175	Cap Wheel Steer
39	19183812	Washer 9/16 x 2-3/8 12 Ga.
40	73540600	Nut Crownlock 3/8-24
41	186737	Adaptor, Steering Wheel
42	145054X428	Boot, Steering Dash P/L Mtl
43	121749X	Washer 25/32 x 1-1/4 x 16 Ga.
44	180640	Extension Steering
46	121232X	Cap, Spindle
51	73540400	Nut Crownlock 1/4-28
54	71130420	Bolt Hex 1/4-28 unf x 1-1/4 Gr. 8
65	160367	Spacer Axle
67	72110618	Bolt Rdhd Sq 3/8-16 x 2-1/4
68	169827	Brace Axle
71	175146	Steering Asm.
82	169835	Bracket Susp. Chassis Front
87	173966	Washer Flat .781 x 1-1/2 x .14
88	175118	Bolt Shoulder 7/16-20 unc
91	175553	Clip Steering
95	188967	Washer

NOTE: All component dimensions given in U.S. inches.
1 inch = 25.4 mm.

REPAIR PARTS

TRACTOR- -MODEL NO. BM12592RB (BM12592RBB), PRODUCT NO. 964 77 43-01
SEAT ASSEMBLY



seat_lt.knob_9

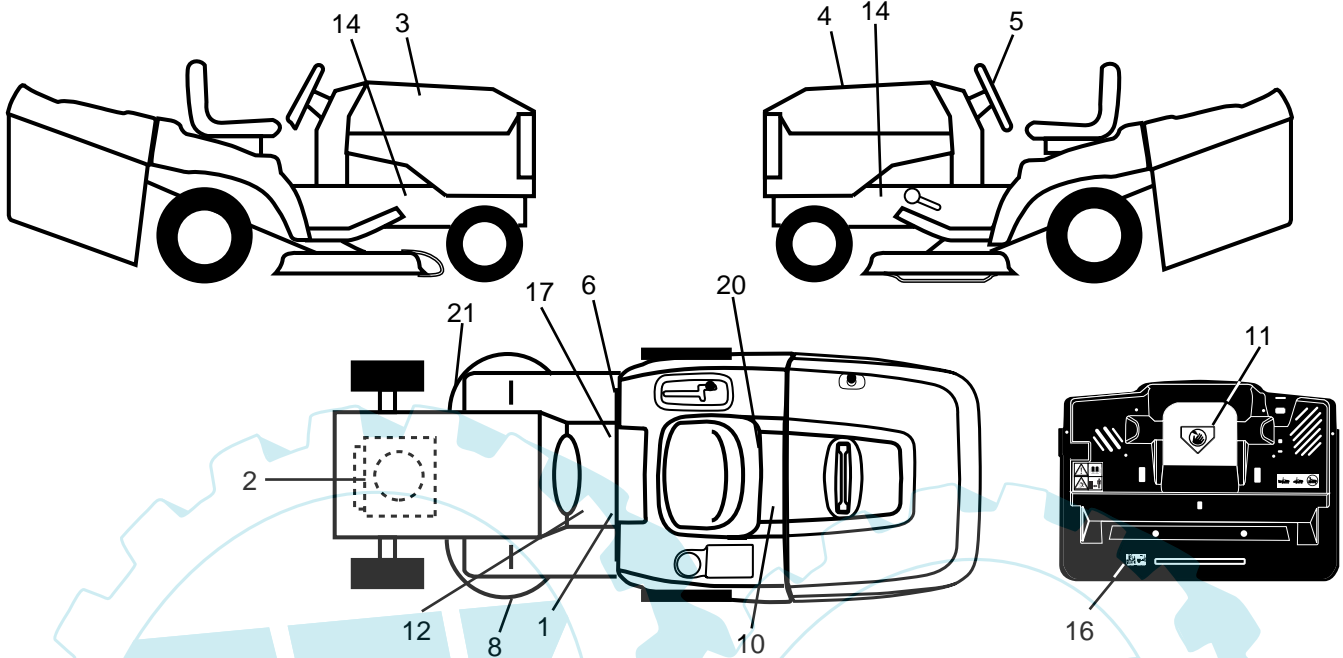
KEY NO.	PART NO.	DESCRIPTION
1	188705	Seat
2	180166	Bracket Pivot Seat
3	71110616	Bolt Fin Hex 3/8-16 x 1 Blk
4	19131610	Washer Flat 13/32 x 1 x 10 Ga.
5	145006	Clip Push In Hinged
6	73800600	Nut Lock Hex w/Insert 3/8-16
7	124181X	Spring Seat Cprsn 2 250 Blk Zi
8	17000616	Screw 3/8-16 x 1.5
9	19131614	Washer 13/32 x 1 x 14 Ga.
10	180186	Pan Seat
11	166369	Knob Seat Adj. Wingnut
12	121246X	Bracket Pnt Mounting Switch

KEY NO.	PART NO.	DESCRIPTION
13	121248X	Bushing Snap Blk Nyl 50 Id
14	72050412	Bolt Rdhd Sht Nk 1/4-20 x 1-1/2
15	134300	Spacer Split
16	121250X	Spring Cprsn
17	123976X	Nut Lock 1/4 Lge Flg Gr. 5 Zinc
21	171852	Bolt Shoulder 5/16-18 unc-2A
22	73800500	Nut Hex Lock w/Ins 5/16-18
24	19171912	Washer 17/32 x 1-3/16 x 12 Ga.

NOTE: All component dimensions given in U.S. inches.
1 inch = 25.4 mm

REPAIR PARTS

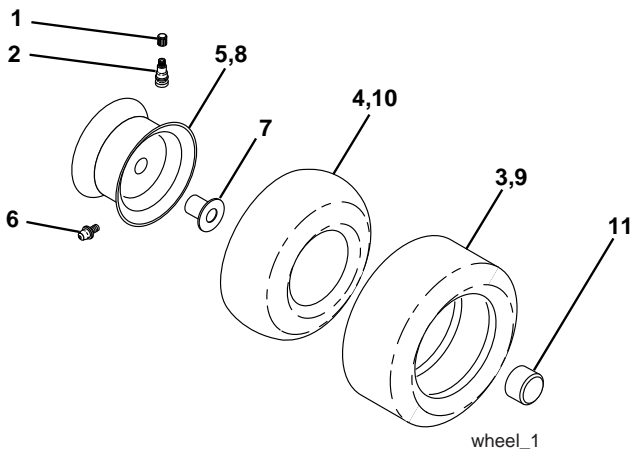
TRACTOR- -MODEL NO. BM12592RB (BM12592RBB), PRODUCT NO. 964 77 43-01
DECALS



KEY NO.	PART NO.	DESCRIPTION
1	145498	Decal Read Owner's Manual Sym
2	184765	Decal Hp Engine
3	189658	Decal Hood RH
4	189659	Decal Hood LH
5	189660	Decal Wheel Steering
6	180432	Decal 100 DBA/CE
8	187811	Decal Deck Enviro
10	145005	Decal Bat Dan/Poi P/L Sym Wpn
11	182166	Decal Mower Cut Finger Symbol
12	159737	Decal Brake/Clutch Symbol Lt
14	159736	Decal Chassis Hot Muffler

KEY NO.	PART NO.	DESCRIPTION
16	180435	Decal Backplate
17	140837	Decal Saddle Brake Parking
21	166286	Decal Hex Belt Sch 92 CRD
—	182621	Decal Bagger Frame
—	138311	Decal Lift Handle
—	179769X428	Pad Footrest RH
—	179768X428	Pad Footrest LH
—	191761	Manual Operator's (Euro)
—	191763	Manual Operator's (Port)
—	191764	Manual Operator's (Polish)
—	191765	Manual Parts

WHEELS & TIRES

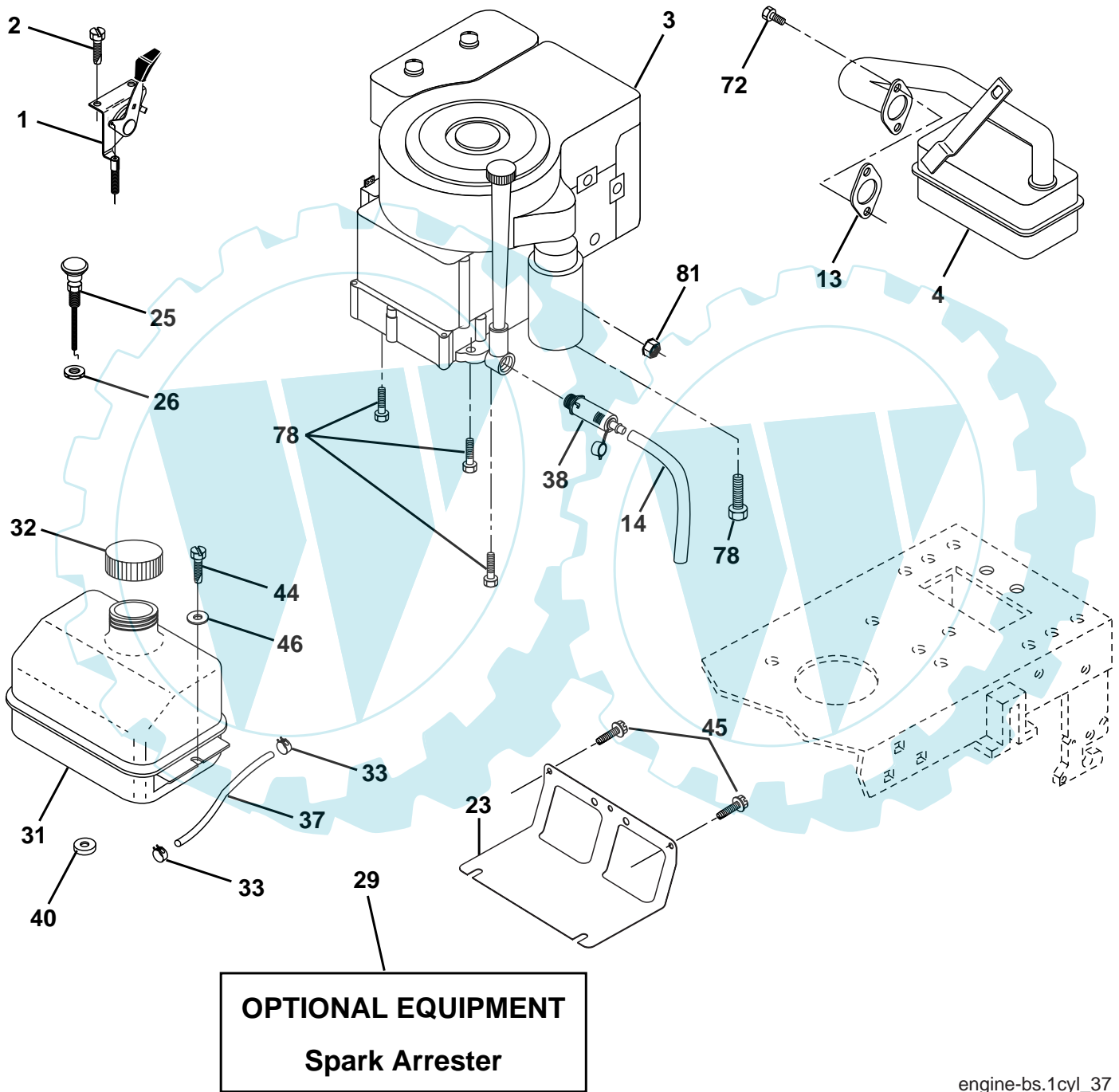


KEY NO.	PART NO.	DESCRIPTION
1	059192	Cap Value Tire
2	065139	Stem Value
3	106222X	Tire F Ts 15 x 6 0 - 6 Service
4	059904	Tube Inner Front #35060
5	106732X417	Rim Asm 6" front Service
6	278H	Fitting Grease
7	9040H	Bearing Flange
8	106108X417	Rim Asm 8" rear Service
9	106268X	Tire R Ts 18 x 5-8 Service
10	7152J	Tube Rear 9 5 x 8 Service
11	104757X428	Cap Axle Blk 1 50 x 1 00
--	144334	Sealant, Tire (10 oz. tube)

NOTE: All component dimensions given in U.S. inches
1 inch = 25.4 mm

REPAIR PARTS

TRACTOR- -MODEL NO. BM12592RB (BM12592RBB), PRODUCT NO. 964 77 43-01
ENGINE



engine-bs.1cyl_37

REPAIR PARTS

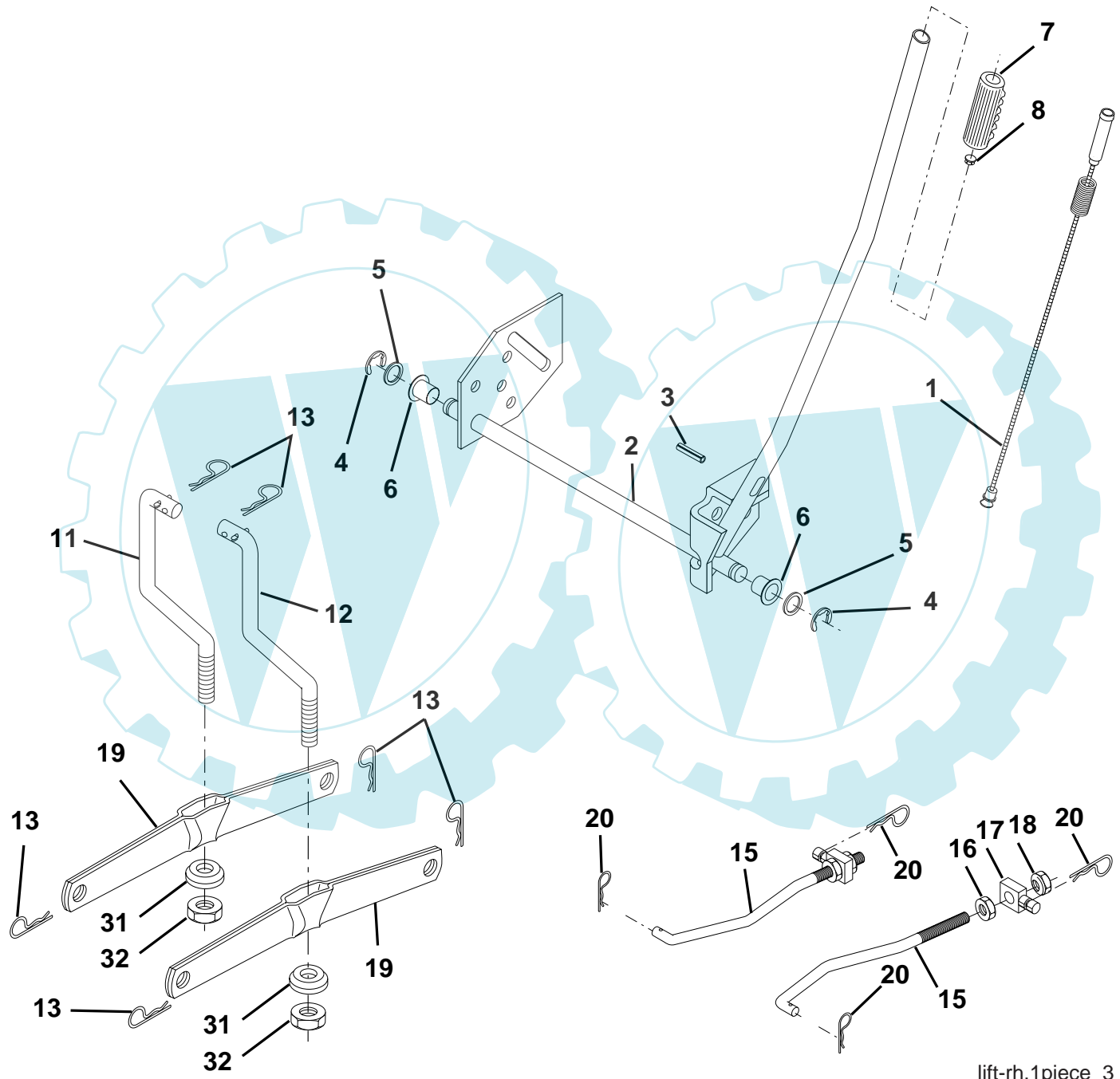
TRACTOR- -MODEL NO. BM12592RB (BM12592RBB), PRODUCT NO. 964 77 43-01
ENGINE

KEY NO.	PART NO.	DESCRIPTION
1	170551	Control Throttle /Choke
2	17720408	Screw Hex Thd Cut 1/4-20 x 1/2
3	-----	Engine B&S Model 21A807 (Order Parts from Engine Manufacturer)
4	179758	Muffler Exhaust B&S Lt
13	165291	Gasket 1 313 Id Tin Plated
14	148456	Tube Drain Oil Easy
23	169837	Shield Browning/Debris Guard
25	180945	Control Choke 1 Cyl.
26	73920600	Nut Keps 3/8-24 unf.
29	137180	Arrestor Spark
31	189400	Tank Fuel
32	140527	Cap Asm Fule Top Vent N/Lany
33	123487X	Clamp Hose Blk
37	137040	Line Fuel 20"
38	181654	Plug Drain Oil Easy
40	124028X	Bushing Snap
44	17670412	Screw Hexwsh Thdrol 3/8-16 x 3/4
45	17000612	Screw 3/8-16 x 3/4
46	19091416	Washer 9/32 X 7/8 X 16 Ga.
72	183906	Screw Socket Head 5/16-18 x 1
78	17060620	Screw 3/8-16x1-1/4
81	73510400	Nut Keps Hex 1/4-20 unc

NOTE: All component dimensions given in U.S. inches
1 inch = 25.4 mm

REPAIR PARTS

TRACTOR- -MODEL NO. BM12592RB (BM12592RBB), PRODUCT NO. 964 77 43-01
MOWER LIFT



lift-rh.1piece_3

REPAIR PARTS

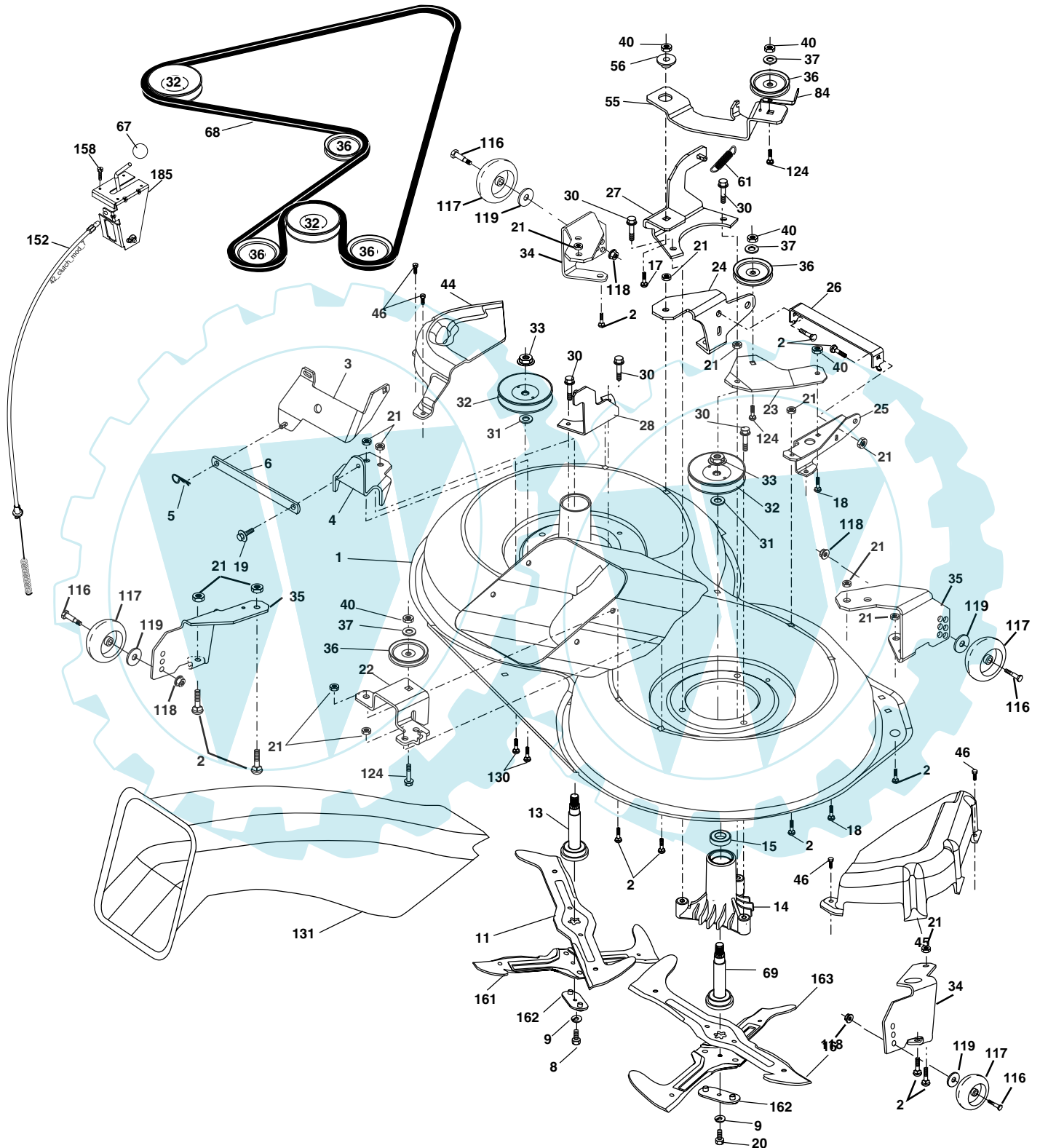
TRACTOR- -MODEL NO. BM12592RB (BM12592RBB), PRODUCT NO. 964 77 43-01
MOWER LIFT

KEY NO.	PART NO.	DESCRIPTION
1	159461	Washer Asm Inner Spring W/Plunger
2	159476	Shaft Asm. Lift
3	178981	Pin Groove
4	12000002	E Ring #5133-62
5	19211621	Washer 21/32 x 1 x 21 Ga.
6	120183X	Bearing Nylon
7	109413X	Grip Handle
8	124526	Button Plunger Black
11	165829	Link Asm Lift L.H.
12	165831	Link Asm Lift R.H.
13	4939M	Retainer Spring
15	173288	Link Front
16	73350800	Nut Jam Hex 1/2-13 unc
17	175689	Trunnion Blk Zinc
18	73800800	Nut Lock w/wsh 1/2-13 unc
19	139868	Arm Suspension Mower
20	163552	Retainer Spring
31	169865	Bearing, Pvt. Lift.
32	73540600	Nut Crownlock 3/8-24

NOTE: All component dimensions given in U.S. inches
1 inch = 25.4 mm

REPAIR PARTS

TRACTOR- -MODEL NO. BM12592RB (BM12592RBB), PRODUCT NO. 964 77 43-01
MOWER



36(92cm)_deck-elect.(CRD)_1
36 GW med/wide/std

REPAIR PARTS

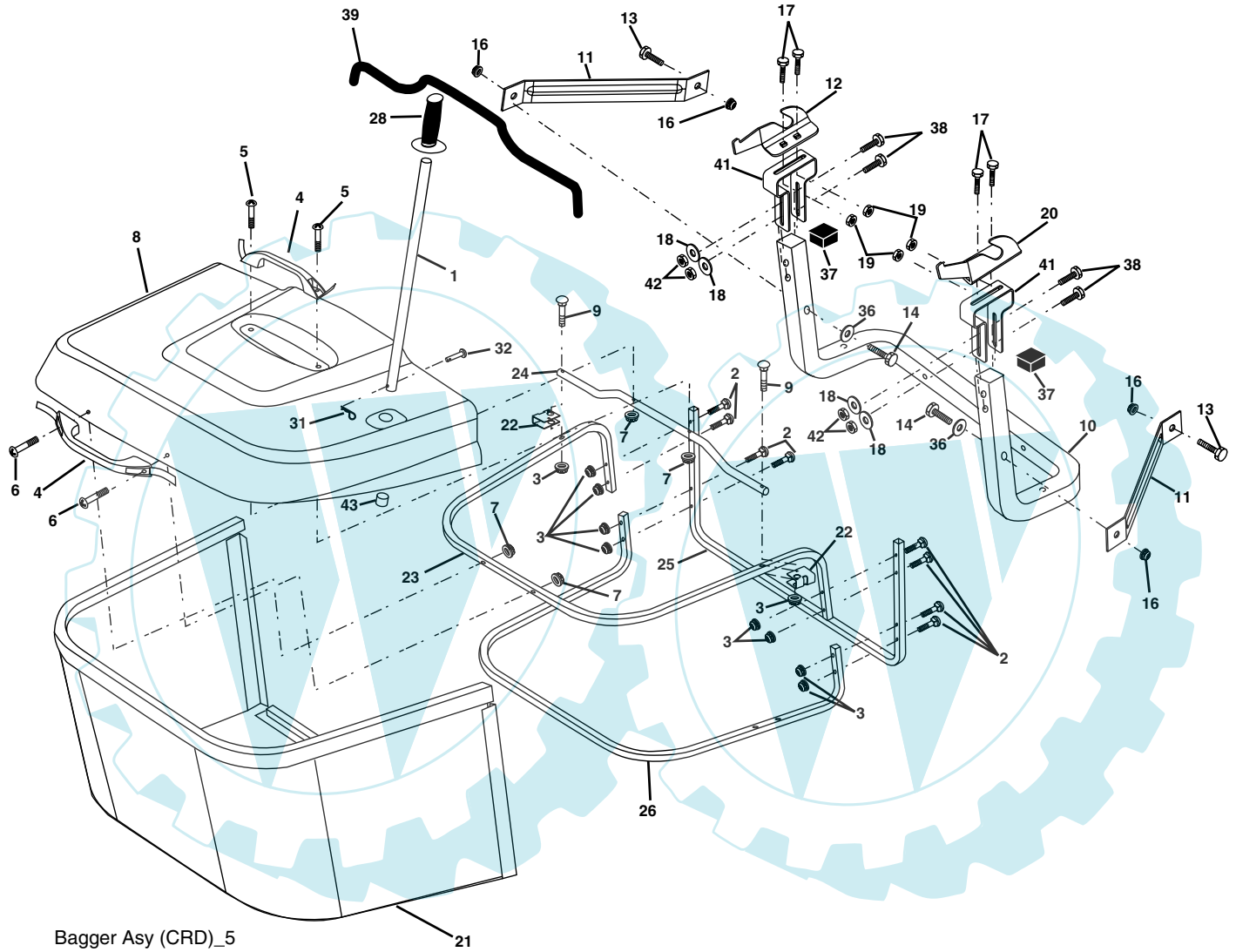
**TRACTOR- -MODEL NO. BM12592RB (BM12592RBB), PRODUCT NO. 964 77 43-01
MOWER**

KEY NO.	PART NO.	DESCRIPTION	KEY NO.	PART NO.	DESCRIPTION
1	165552	Housing Asm. Mower	40	73680600	Nut Crownlock 3/8-16 unc
2	72140506	Bolt Rdhd Sqnk 5/16-18 unc x 3/4	44	175538	Cover Mandrel Lh
3	165569	Bracket Asm. S-Bar Chass	45	175539	Cover Mandrel Rh
4	165558	Bracket Bar Sway Deck	46	137729	Screw Thd Roll 1/4-20 x 5/8
5	124670	Retainer Spring	55	165445	Arm Idler
6	165557	Bar Sway	56	165723	Spacer Retainer PM Mower
8	181712	Bolt 3/8-24 x 1.25 Gr. 8 Patched	61	165945	Spring Tension Belt
9	10030600	Washer Lock Hvy 3/8 Unplated	67	106932X	Knob Rd 3/8-16 Plstc Thds Blk
11	186385	Blade 3-1 Lh	68	180217	Hex-Belt 92 Mower
13	137645	Shaft Asm. W/Lower Bearing	69	165482	Shaft Asm W/Lwr Brg Rh Thd CRD
14	128774	Housing Mandrel Vented (Machd)	84	156085	Keeper Belt Idler
15	110485X	Bearing Ball Mandrel	116	184219	Bolt Shoulder
16	186386	Blade 3-1 Rh	117	133957	Wheel Gauge Donut Wide
17	72140610	Bolt Carriage 3/8-16 x 1-1/4	118	73930600	Nut Centerlock 3/8-16 unc
18	72110606	Bolt Rdhd Sqnk 3/8-16 x 3/4	119	19121414	Washer 3/8 x 7/8 x 14 Ga.
19	132827	Bolt Shoulder 5/16-18 Thd Form	124	72110612	Bolt Carr Sh 3/8-16 x 1-1/2 Gr. 5
20	181713	Bolt 3/8-24 x 1.25 Gr. 8 Ptch Lhthd	130	72110506	Bolt Rdhdsqnk 5/16-18 unc x 3/4
21	73680500	Nut Crown Lock 5/16-18	131	165661	Chute Bagger CRD
22	165243	Bracket Idler Sprt RR	152	176074	Cable Clutch CRD Service
23	165446	Bracket Idler Sprt RF	158	17720408	Screw Hex Thdcut 1/4-20 x 5/8
24	165242	Bracket Suspension LF	161	186387	Blade Cross Lh 92
25	165244	Bracket Suspension RF	162	180878	Adpater Blade Cross
26	165237	Brace Support Susp Frt CRD	163	186388	Blade Cross Rh 92
27	165568	Bracket Asm. Susp RR	185	188234	Head Asm. Cable Clutch
28	165567	Bracket Asm. Susp LR	--	181857	Mandrel Asm Service
30	173984	Screw Thd Rolling Washer Head	--	181858	Mandrel Asm CRD Lh Threads SVC
31	187690	Washer Spacer	--	188523	Replacement Mower Complete- - (Std. Deck - Order separately gauge wheel components Key Nos. 116-119)
32	153531	Mandrel Pulleys 36 & 46			
33	178342	Nut Flg Top Lock			
34	165239	Bracket Gauge Wheel Lf			
35	165238	Bracket Gauge Wheel Rf			
36	146763	Pulley Idler V-Groove Dim 4.25			
37	19131316	Washer 11/32 x 13/16 x 16 Ga.			

NOTE: All component dimensions given in U.S. inches
1 inch = 25.4 mm

REPAIR PARTS

TRACTOR- -MODEL NO. BM12592RB (BM12592RBB), PRODUCT NO. 964 77 43-01
BAGGER



Bagger Asy (CRD)_5

REPAIR PARTS

TRACTOR- -MODEL NO. BM12592RB (BM12592RBB), PRODUCT NO. 964 77 43-01
BAGGER

KEY NO.	PART NO.	DESCRIPTION
1	165249	Tube Handle Bagger CRD
2	72140416	Bolt Carriage 1/4-20 x 2.0 Gr. 5
3	123976X	Nut Lock 1/4 Lge Flg Gr. 5 Zinc
4	169916	Handle Bagger w/Lvrs Blk CRD
5	74981024	Screw Pan Head #10-24 x 1.50 Blk
6	74981032	Screw Pan Hd
7	73401000	Nut Wiz Lock Hex Serr/Hd 10-24
8	169963X417	Cover Bagger
9	72140418	Bolt Carriage 1/4-20 x 2.25 d x Gr. 5
10	181282	Tube Support Bagger CRD
11	165719	Bracket Support Upper Bag CRD
12	169685	Bracket Horiz Adj Bagger Lh
13	72110606	Bolt Rdhd Sht Sqnk 3/8-16 x 3/4
14	74520636	Bolt Fin Hex 3/8-16 x 2-1/4 Gr. 5
16	73900600	Nut Lock Flg 3/8-16 unc
17	72140506	Bolt Rdhd Sht Sqnk 5/16 -18 unc x 3/4
18	19111216	Washer 11/32 x 3/4 x 16 Ga.
19	73900500	Nut Lock Hex Flange 5/16-18
20	169684	Bracket Horiz Adj Bagger Rh
21	180880	Bag Asm CRD
22	165781	Bracket Side Bagger CRD
23	165782	Tube Upper Bagger CRD
24	165783	Tube Pivot Bagger CRD
25	180124	Tube Front Bagger CRD
26	165785	Tube Lower Bagger CRD
28	165787	Grip Handle Black
31	169484	Retainer Clip
32	126875X	Rivet Rd Hd Drilled 3/8 Dia
36	19132016	Washer 13/32 x 1-1/4 x 16 Ga.
37	175401	Plug Support Bagger CRD
38	72010520	Bolt 5/16-18 x 2-1/2
39	180985	Seal Trim
41	169683	Bracket Pnt Adj Pvt Bagger CRD
42	73800500	Nut Crownlock 5/16-18 Blk D
43	174083	Plug Tubing End

NOTE: All component dimensions given in U.S. inches
1 inch = 25.4 mm



SERVICE POLICY WARRANTY



Issued January 1980
Revised January 1991

LIMITED WARRANTIES FOR NEW PEERLESS GEAR POWER TRAIN COMPONENTS

A. Products Warranted

Peerless Gear and Machine Division of Tecumseh Products Company ("Tecumseh"), subject to the limitations contained below, will, at its option, repair or replace, without charge for parts or labor only, any part of a new Power Train Component (which as used herein means and includes the transaxle, gear box, transmission, differential and right angle drives, and any part of the Power Train Component), EXCEPT any new Power Train Component incorporated in equipment used for commercial or rental purposes, which is found upon examination by any Tecumseh Authorized Service Outlet or by Tecumseh's factory in Grafton, Wisconsin, to be DEFECTIVE IN MATERIAL AND/OR WORKMANSHIP if received by Tecumseh or a Tecumseh Authorized Service Outlet for such examination within TWO YEARS from the date of sale to the original consumer purchaser of Peerless Series 820, 900, 910, 915, 920, 930 transaxles and Series 1100 angle drive and ONE YEAR for all other Peerless products. New Power Train Components incorporated in equipment used for commercial purposes are warranted in the same manner and to the same extent EXCEPT such Power Train Components are warranted for NINETY (90) DAYS ONLY, and must be received by Tecumseh or by a Tecumseh Authorized Service Outlet for such examination within 90 days from the date of sale to the original purchaser. New Power Train Components Incorporated in equipment used for rental purposes are warranted in the same manner and to the same extent EXCEPT such Power Train Components are warranted for THIRTY (30) DAYS ONLY, and must be received by Tecumseh or a Tecumseh Authorized Service Outlet within 30 days from the date of sale to the original purchaser.

B. Products And Items Not Warranted

1. Alterations or Modifications of Power Train Components.
2. Accidents, Normal Maintenance, Failure to follow the Original Equipment Manufacturer's Manual.

This warranty covers only parts of new Power Train Components which are found upon examination to be defective in material or workmanship as delivered to the original purchaser. This warranty does not cover defects caused by depreciation or damage caused by normal wear, accidents, improper maintenance, improper use or abuse of the product, failure to follow the instructions contained in an Instruction Manual for the operation of the Power Train Component and parts. The cost of normal maintenance and replacement of service items which are not defective shall be paid for by the original purchaser.

C. Securing Warranty Service

Warranty service can be arranged for by contacting either a Tecumseh Authorized Service Outlet (any Tecumseh Registered Service Dealer, Tecumseh Authorized Service Distributor, or Tecumseh Central Warehouse Distributor) or by contacting Tecumseh, c/o Service Manager, Engine and Transmission Group Service Division, 900 North Street, Grafton, Wisconsin 53024. Warranty service can only be performed by a Tecumseh Authorized Service Outlet or by Tecumseh at its factory in Grafton, Wisconsin. At the time of requesting warranty service, evidence must be presented of the date of sale to the original purchaser. The purchaser shall pay any charges for making service calls and/or for transporting the product to and from the place where the inspection and/or warranty work is performed. The purchaser shall be responsible for any damage or loss incurred in connection with the transportation of Power Train Components and/or part(s) of the Power Train Components submitted for inspection and/or warranty work.

D. Limitation of Damages and Implied Warranties

The foregoing EXPRESSED WARRANTY IS IN LIEU OF ALL OTHER EXPRESS WARRANTIES. Neither Tecumseh nor any of its affiliates makes any warranties, representations or promises, written or oral, as to the quality of the Power Train Component or any of its parts, other than as set forth herein.

ANY IMPLIED WARRANTY OF MERCHANTABILITY OR FITNESS FOR A PARTICULAR PURPOSE, TO THE EXTENT THAT EITHER MAY APPLY TO ANY PART(S) OF POWER TRAIN COMPONENTS, SHALL BE LIMITED IN DURATION TO THE PERIODS OF THE EXPRESSED WARRANTIES DEFINED IN PARAGRAPH A HEREOF. IN NO EVENT WILL TECUMSEH BE LIABLE FOR ANY INCIDENTAL, CONSEQUENTIAL OR SPECIAL DAMAGES AND/OR EXPENSES. Some states do not allow limitations on how long an implied warranty lasts or the exclusion or limitation of incidental or consequential damages, so the above limitation(s) or exclusion(s) may not apply to you. This warranty gives you specific legal rights and you may also have other legal rights which vary from state to state.

E. No Dealer Warranty

Tecumseh neither assumes nor authorizes any other person, natural or corporate, to assume for Tecumseh any other obligations or liabilities in connection with or with respect to any part(s) of a Power Train Component. The seller or dealer of part(s) of a Power Train Component has no authority, whatsoever, to make any representations or promises on behalf of Tecumseh or to modify the terms or limitations of Tecumseh's warranty in any way.

SERVICE NOTES





BESTGREEN

Ihr Ersatzteilspezialist im Internet